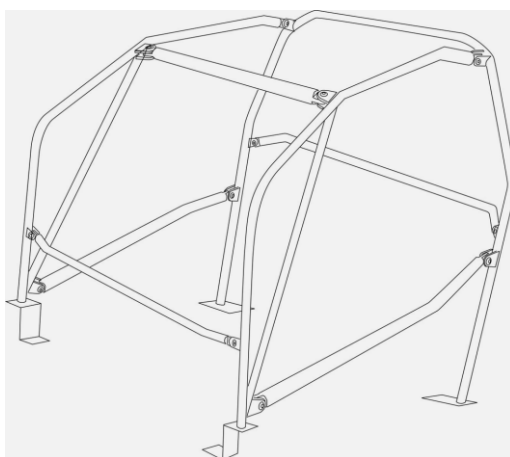




New Product Information

Rollcage for Lotus Exige has been released



*Reference image(10pt)

- ◇The shape and joint area are designed for Exige dedicatedly. It improves body rigidity remarkably.
- ◇Super light weight joint is applied for connecting area.

«Applicable model» Lotus Exige

Series:1117

Type		pt	SAFETY21 (steel made)		Specification *1
			Part No.	Price(excl.tax)	
40Φ 2 passengers	dash escape	F4	LT1 270 HM	£666.55	Front 4P+Main arch side bar Seat belt anchor is included.
		10	LT1 270 HW10	£1,069.77	Front 4P+Main arch side bar +side bar+Front dash under bar+Reinforcement bar for front cage corner.Seat belt anchor and pillar joint (4) are included.

* SAFETY21: About detail of Steel material or further spec or number of point, please enquire us.

Note*1 In case of using on competition, please confirm proper regulation. It could be not eligible to enter depend on the category or class.

The pillar joint which is included 10pt type is needed to be welded.



Co-ordSport Ltd
Unit 1, Cleton St, Tipton,
West Midlands, DY4 7TR, UK
Tel: +44 (0)121 661 6263
Fax: +44 (0)121 557 1969
sales@coordsport.com

Co-ordSport GmbH
Oberstraße 35, 56332 Alken
Germany
Tel: +49 (0)2605 408 9946
Fax: +49 (0)17250 352 0160
info@coordsport.de

Co-ordSport Netherlands
Heuvel 47, 6042 JR Roermond
The Netherlands
Tel: +31 (0)6 1434 7580
info@coordsport.nl
www.coordsport.nl