


April 25, 2010

HYBRID SPORTS OIL FILTER


Features

★A new concept oil filter which improves oil pressure drop and flow properties by approximately 30% compared to current sports oil filters. Large diameter "Super Intake Hole" and newly developed low resistance hybrid filter allows for low pressure loss. Engine response is improved by reducing the load on the engine.

★Most sports oil filters are assumed to use high viscosity oil and therefore filter paper strength is prioritized whilst sacrificing absolute pressure loss properties. HKS Hybrid Sports Oil Filter has readdressed filter strength and overall structure to provide the oil flow that the engine requires and pursue HKS' ideals in what is required from a sports oil filter.



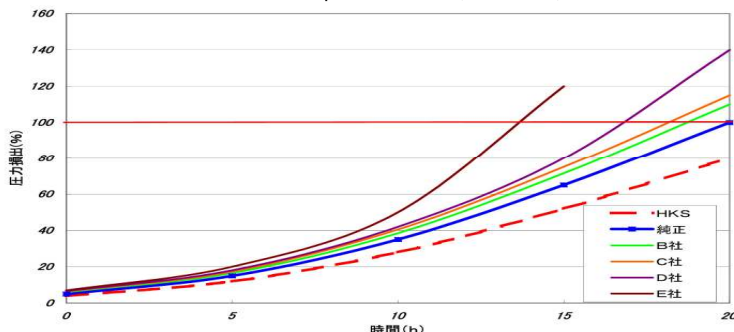
- Super Neodymium Magnet**
 Neodymium, which is becoming the standard for oil filters is placed at the back of the filter where oil can collect, picking up small metal particles and fragments.
- Super Stealth Frame**
 This familiar design forms the basis of high strength and low pressure loss. This applies to oil flow also to achieve the best results. Includes strengthened relief valve.
- Super Hybrid Oil Filter**
 Unwoven cloth and special plastic fiber composite is used ensuring high strength and low pressure loss. A refined but tough filter has been achieved which can withstand high pressure and high viscosity.
- Super Intake Hole**
 The intake hole, where compressed oil come in to the filter has been made larger. A unique pic shape design has allowed maximum oil flow whilst retaining seal strength.
- Super Intake Flap**
 Using a silicon base flap, compressed oil is sent smoothly to the outer edge of the filter increasing flow speed and is compatible with the large diameter intake hole. Also acts as a reverse flow valve.



Performance

*HKS Hybrid Oil Filter's low pressure loss properties means that even standard specification engines can benefit from reduced engine resistance and improved engine response.

Oil Filter pressure loss (Stock = 100%)



HYBRID SPORTS OIL FILTER

Code No.	Description	Size	Center Bolt Size	Price	Remarks
52009-AK001	HYBRID SPORTS OIL FILTER(M20)	φ 68 × H65	M20 × P1.5		10 pieces/case
52009-AK002	HYBRID SPORTS OIL FILTER(UNF)	φ 68 × H65	UNF3/4-16		10 pieces/case



Construction

In the interest of universal fitment, unit size has been standardized at φ68x65mm. Fitment bolt sizes are M20-1.5P and 3/4-16 UNF. Filtration performance JIS standard is 25μ whereas HKS is 20μ making the Filter compatible with most standard engine requirements.

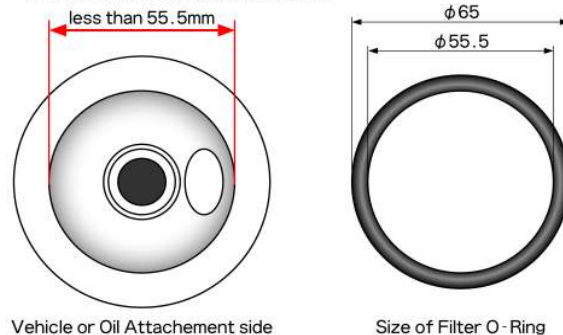
Filter Life

Under normal usage, it is recommended that the filter is changed every 10,000km or 6months. For Sports driving, the recommended distance is approximately 1/3 - 1/2 of the previously mentioned figure (as the engine revolutions are several times that of normal driving). However, to maintain optimum low pressure loss properties, it is recommended to change the filter every 3000km when an oil change is performed.

Fitment Conditions

Oilfilter fitment conditions

- Please confirm that the filter unit size 68x65 and center bolt thread is compatible.
- Oil filter is compatible with vehicles or oil attachments where the oil filter seal internal diameter is less than 55.5mm.



Warning ♦Fitment to vehicles which do not conform to the above conditions may result in engine damage due to loss of oil

*Super Hybrid Oil Filter Internal picture



HKS HYBRID SPORTS OIL FILTER

■ Construction

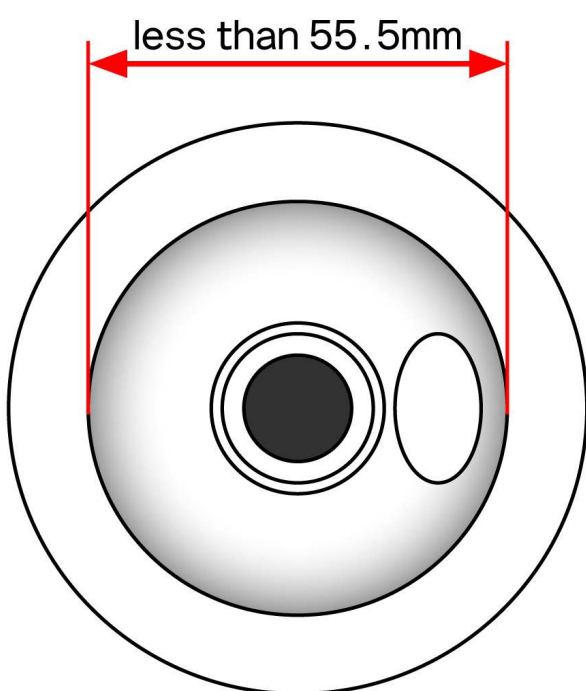
In the interest of universal fitment, unit size has been standardised at $\phi 68 \times 65 \text{mm}$. Fitment bolt sizes are M20-1.5P and 3/4-16 UNF. Filtration performance JIS standard is 25μ whereas HKS is 20μ making the filter compatible with most standard engine requirements.

■ Filter Life

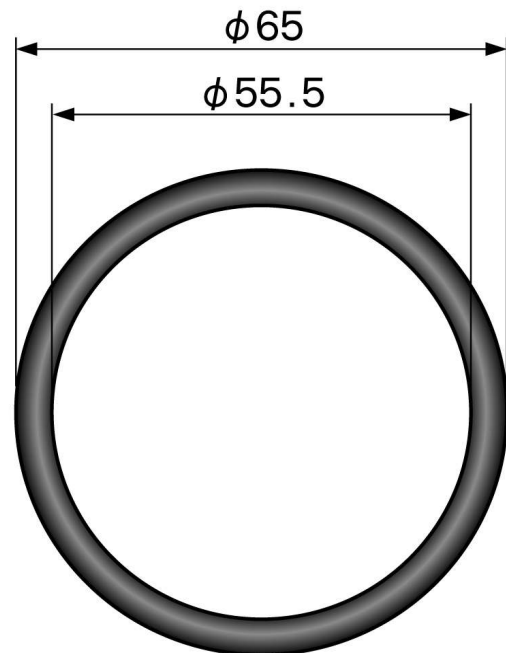
Under normal usage, it is recommended that the filter is changed every 10,000km or 6 months. For sports driving, the recommended distance is approximately 1/3 - 1/2 of the previously mentioned figure (as the engine revolutions are several times that of normal driving). However, to maintain optimum low pressure loss properties, it is recommended to change the filter every 3000km when an oil change is performed.

Oilfilter fitment conditions

- Please confirm that the filter unit size 68x65 and center bolt thread is compatible.
- Oil filter is compatible with vehicles or oil attachments where the oil filter seal internal diameter is less than 55.5mm.



Vehicle or Oil Attachment side



Size of Filter O - Ring



Warning

- ◆ Fitment to vehicles which do not conform to the above conditions may result in engine damage due to loss of oil

HKS HYBRID SPORTS OIL FILTER

TOYOTA

Vehicle	Model	Engine	Model Year	Stock P.N.	Center Bolt	Code No.	Remarks
bB	NCP30	2NZ-FE	00/2-05/2	90915-10003	UNF 3/4-16	52009-AK002	
	NCP31		00/2-05/2	90915-10003	UNF 3/4-16		
	NCP35	1NZ-FE	00/2-05/2	90915-10003	UNF 3/4-16		
	NCP43		01/6-03/4	90915-10003	UNF 3/4-16		
MR-S	ZZW30	1ZZ-FE	99/10-07/	90915-10001 90915-10003	UNF 3/4-16	52009-AK002	
MR2	SW20	3S-GTE	89/10-99/09	90915-10004	UNF 3/4-16	52009-AK002	
		3S-GE	89/10-99/09	90915-10003	UNF 3/4-16		
ISIS	ZNM10W	1ZZ-FE	04/9-09/9	90915-10003	UNF 3/4-16	52009-AK002	
	ZNM10G		04/9-09/9	90915-10003	UNF 3/4-16		
	ANM15W	1AZ-FSE	04/9-09/9	90915-10004	UNF 3/4-16		
	ANM15G		04/9-09/9	90915-10004	UNF 3/4-16		
	ANM10W		04/9-09/9	90915-10004	UNF 3/4-16		
	ANM10G		04/9-09/9	90915-10004	UNF 3/4-16		
ALTEZZA	SXE10	3S-GE	98/10-05/07	90915-10001 90915-10003	UNF 3/4-16	52009-AK002	
ALPHARD	ANH20W	2AZ-FE	08/5-	90915-10004	UNF 3/4-16	52009-AK002	
	ANH25W		08/5-	90915-10004	UNF 3/4-16		
	ATH10W	2AZ-FXE	03/8-08/4	90915-10004	UNF 3/4-16		
	ANH15W	2AZ-FE	02/5-08/5	90915-10004	UNF 3/4-16		
	ANZ10W		02/5-08/5	90915-10004	UNF 3/4-16		
ist	NCP110	1NZ-FE	07/7-	90915-10003	UNF 3/4-16	52009-AK002	
	NCP115		07/7-	90915-10003	UNF 3/4-16		
	NCP60	2NZ-FE	02/5-07/7	90915-10003	UNF 3/4-16		
	NCP61	1NZ-FE	02/5-07/7	90915-10003	UNF 3/4-16		
	NCP65		02/5-07/7	90915-10003	UNF 3/4-16		
WISH	ZNE14G	1ZZ-FE	03/1-09/4	90915-10003	UNF 3/4-16	52009-AK002	
	ZNE10G		03/1-09/4	90915-10003	UNF 3/4-16		
	ZNE10G	1AZ-FE	03/12-09/4	90915-10004	UNF 3/4-16		
	ANE11W	1AZ-FSE	03/12-09/4	90915-10004	UNF 3/4-16		
	ANE10G		03/4-09/4	90915-10004	UNF 3/4-16		
VITZ	SCP10	1SZ-FE	99/1-	90915-10001	UNF 3/4-16	52009-AK002	
	SCP90	2SZ-FE	05/2-	90915-10003	UNF 3/4-16		
	SCP13	2NZ-FE	02/12-05/2	90915-10003	UNF 3/4-16		
	NCP95		05/2-	90915-10003	UNF 3/4-16		
	NCP15	2NZ-FE	99/8-05/2	90915-10001 90915-10003	UNF 3/4-16		
	NCP10		99/10-05/2	90915-10001 90915-10003	UNF 3/4-16		
	NCP95		05/2-	90915-10003	UNF 3/4-16		
	NCP91	1NZ-FE	05/2-	90915-10003	UNF 3/4-16		
NCP13	00/10-05/2		90915-10003	UNF 3/4-16			
VELLFIRE	ANH20W	2AZ-FE	08/5-	90915-10004	UNF 3/4-16	52009-AK002	
	ANH25W		08/5-	90915-10004	UNF 3/4-16		
VOXY	AZR65G	1AZ-FSE	01/11-07/6	90915-10004	UNF 3/4-16	52009-AK002	
	AZR60G		01/11-07/6	90915-10004	UNF 3/4-16		
ESTIMA	ACR50W	2AZ-FE	06/1-	90915-10004	UNF 3/4-16	52009-AK002	
	ACR55W		06/1-	90915-10004	UNF 3/4-16		
	ACR30W	2AZ-FE	00/1-06/1	90915-10004	UNF 3/4-16		
	ACR40W		00/1-06/1	90915-10004	UNF 3/4-16		
	AHR20W	2AZ-FXE	06/6-	90915-10004	UNF 3/4-16		
	AHR10W		01/6-05/11	90915-10004	UNF 3/4-16		
CALDINA	ST215W	3S-GTE	97/9-02/9	90915-10002	UNF 3/4-16		
COROLLA	NZE120	2NZ-FE	00/8-	90915-10003	UNF 3/4-16	52009-AK002	
	NZE121	1NZ-FE	00/8-	90915-10003	UNF 3/4-16		
	NZE124		00/8-	90915-10003	UNF 3/4-16		
	ZZE124	1ZZ-FE	03/12-	90915-10003	UNF 3/4-16		
	ZZE122		00/8-	90915-10003	UNF 3/4-16		
	ZZE123		2ZZ-GE	01/1-	90915-10004		UNF 3/4-16
COROLLA FIELDER	NZE124G	1NZ-FE	00/8-	90915-10003	UNF 3/4-16	52009-AK002	
	NZE121G		03/4-	90915-10003	UNF 3/4-16		
	ZZE124G	1ZZ-FE	03/12-	90915-10003	UNF 3/4-16		
	ZZE122G		00/8-	90915-10003	UNF 3/4-16		
	ZZE123G		2ZZ-GE	00/8-	90915-10004		UNF 3/4-16
KLUGER V	ACU25W	2AZ-FE	00/11-	90915-10004	UNF 3/4-16	52009-AK002	
	ACU20W		00/11-	90915-10004	UNF 3/4-16		
SUCCEED	NCP59G	1NZ-FE	02/7-	90915-10003	UNF 3/4-16	52009-AK002	
	NCP58G		02/7-	90915-10003	UNF 3/4-16		
	NCP55V		03/12-	90915-10003	UNF 3/4-16		
SIENTA	NCP81G	1NZ-FE	03/9-	90915-10003	UNF 3/4-16	52009-AK002	
	NCP85G		03/9-	90915-10003	UNF 3/4-16		
CELICA	ZZT231	2ZZ-GE	99/9-	90915-10001 90915-10004	UNF 3/4-16	52009-AK002	
	ZZT230	1ZZ-FE	02/8-	90915-10003	UNF 3/4-16		
	ST205	3S-GTE	93/10-99/09	90915-10004	UNF 3/4-16		
TRUENO	AE111	4A-GE	95/05-00/08	90915-10004	UNF 3/4-16	52009-AK002	
	AE101	4A-GZE	91/06-95/04	90915-10004	UNF 3/4-16		
		4A-GE	91/06-95/04	90915-10004	UNF 3/4-16		
	AE92	4A-GZE	89/05-91/05	90915-10002	UNF 3/4-16		
		4A-GE	89/05-91/05	90915-10002	UNF 3/4-16		
AE86	4A-GE	83/05-87/04	90915-03001	UNF 3/4-16			
NOAH	AZR65G	1AZ-FSE	01/11-	90915-10004	UNF 3/4-16	52009-AK002	
	AZR60G		01/11-	90915-10004	UNF 3/4-16		
HARRIER	ACU35W	2AZ-FE	03/2-	90915-10004	UNF 3/4-16	52009-AK002	
	ACU30W		03/2-	90915-10004	UNF 3/4-16		
	ACU15W		00/11-03/2	90915-10004	UNF 3/4-16		
	ACU10W		00/11-03/2	90915-10004	UNF 3/4-16		
PRIUS	NHW20	1NZ-FXE	03/9-	90915-10003	UNF 3/4-16	52009-AK002	
	NHW10		97/12-03/9	90915-10001	UNF 3/4-16		
PROBOX	NCP59G	1NZ-FE	02/7-	90915-10003	UNF 3/4-16	52009-AK002	
	NCP58G		02/7-	90915-10003	UNF 3/4-16		
	NCP55V		03/12-	90915-10003	UNF 3/4-16		
	NCP51V		03/12-	90915-10003	UNF 3/4-16		
RACTIS	SCP100	2SZ-FE	05/9-	90915-10003	UNF 3/4-16	52009-AK002	
	NCP100	1NZ-FE	05/9-	90915-10003	UNF 3/4-16		
	NCP105		05/9-	90915-10003	UNF 3/4-16		
RUSH	J200E	3SZ-VE	06/9-	15601-97202	UNF 3/4-16	52009-AK002	
	J210E		06/9-	15601-97202	UNF 3/4-16		
LEVIN	AE111	4A-GE	95/05-00/08	90915-10004	UNF 3/4-16	52009-AK002	
	AE101	4A-GE	91/06-95/04	90915-10004	UNF 3/4-16		
		4A-GZE	91/06-95/04	90915-10004	UNF 3/4-16		
	AE92	4A-GE	89/05-91/05	90915-10002	UNF 3/4-16		
		4A-GZE	89/05-91/05	90915-10002	UNF 3/4-16		
AE86	4A-GE	83/05-87/04	90915-03001	UNF 3/4-16			

HKSHYBRIDSPORTS OIL FILTER

NISSAN

Vehicle	Model	Engine	Model Year	Stock P.N.	Center Bolt	Code No.	Remarks	
WINGROAD	WFY11	QG15DE	99/5-	AY100-NS004	M20 x P1.5	52009-AK001		
	WHNY11	QG18DE	99/5-	AY100-NS004	M20 x P1.5			
	WRY11	QR20DE	01/10-	AY100-NS004	M20 x P1.5			
	QR20DE		01/10-02/11	AY100-NS004	M20 x P1.5			
	WPY11	SR20VE	99/5-01/10	AY100-NS004	M20 x P1.5			
X-TRAIL	T31	MR20DE	07/8-		M20 x P1.5	52009-AK001		
	NT31		07/8-		M20 x P1.5			
	T30	QR20DE	00/10-07/8	AY100-NS004	M20 x P1.5			
	NT30		00/10-07/8	AY100-NS004	M20 x P1.5			
	PNT30	SR20VET	01/2-03/6	AY100-NS004	M20 x P1.5		52009-AK001	
ELGRAND	NE51	VQ35DE	02/5-	AY100-NS004	M20 x P1.5	52009-AK001		
	E51		02/5-	AY100-NS004	M20 x P1.5			
	APWE50	VQ35DE	00/8-02/5	AY100-NS004	M20 x P1.5			
	APE50		00/8-02/5	AY100-NS004	M20 x P1.5			
	ALWE50	VG33E	97/5-00/8	AY100-NS004 15208-31U00	M20 x P1.5			
	ALE50		97/5-00/8	AY100-NS004 15208-31U00	M20 x P1.5			
CARAVAN/HOMY	VPE25	KA20DE	01/4-	AY100-NS006	M20 x P1.5	52009-AK001		
	CQGE25	KA24DE	01/4-	AY100-NS006	M20 x P1.5			
	QE25		03/5-	AY100-NS006	M20 x P1.5			
	QGE25		03/5-	AY100-NS006	M20 x P1.5			
CUBE	BZ11	CR14DE	02/10-	AY100-NS005	UNF 3/4-16	52009-AK002		
	BNZ11		02/10-	AY100-NS005	UNF 3/4-16			
	AZ10	CGA3DE	99/11-02/10	AY100-NS005	UNF 3/4-16			
	ANZ10		99/11-02/10	AY100-NS005	UNF 3/4-16			
CIMA	GF50	VK45DD	01/1-	AY100-NS006	M20 x P1.5	52009-AK001		
	GNF50		01/1-	AY100-NS006	M20 x P1.5			
SILVIA	S15	SR20DET	99/01-02/08	AY100-NS004 15208-65F00	M20 x P1.5	52009-AK001		
	S14	SR20DET	93/10-99/01	15208-65F00	M20 x P1.5	52009-AK001		
	PS13	SR20DET	91/1-93/10	15208-53J00	UNF 3/4-16	52009-AK002		
GT-R	R35	VR38DETT	07/12-	AY100-NS006	M20 x P1.5	52009-AK001		
SKYLINE	PV36	VQ37VHR	08/12-	AY100-NS004	M20 x P1.5	52009-AK001		
		VQ35HR	06/11-08/11	AY100-NS004	M20 x P1.5			
	PV35	VQ35DE	01/06-07/08	AY100-NS004	M20 x P1.5	52009-AK001		
	ER34	RB25DET	98/10-01/06	AY100-NS005	UNF 3/4-16	52009-AK002	Not for 98/05-98/09.	
SKYLINE GT-R	BNR34	RB26DET	99/01-02/08	AY100-NS005 15208-53J00	UNF 3/4-16	52009-AK002		
STAGEA	WGNC34	RB25DET NEO	98/08-01/10	AY100-NS005 15208-53J00	UNF 3/4-16	52009-AK002	Not for 96/10-98/07.	
	WGNC34改	RB26DETT	98/10-01/10	15208-53J00	UNF 3/4-16	52009-AK002	Not for 97/11-98/09.	
SERENA	C25	MR20DE	05/5-		M20 x P1.5	52009-AK001		
	NC25		05/5-		M20 x P1.5			
	CNC25		06/6-		M20 x P1.5			
	CC25		06/10-		M20 x P1.5			
	TC24	QR20DE	01/12-05/5	AY100-NS004	M20 x P1.5		52009-AK001	
	TNC24		01/12-05/5	AY100-NS004	M20 x P1.5			
TEANA	TNJ32	QR25DE	08/6-		M20 x P1.5	52009-AK001		
	J32	VQ25DE	08/6-		M20 x P1.5			
	PJ32	VQ35DE	08/6-		M20 x P1.5			
	TNJ31	QR25DE	03/2-08/6	AY100-NS004	M20 x P1.5			
	J31	VQ23DE	03/2-08/6	AY100-NS004	M20 x P1.5			
	PJ31	VQ35DE	03/2-08/6	AY100-NS004	M20 x P1.5			
TIIDA	NC11	HR15DE	04/9-	AY100-NS004	M20 x P1.5	52009-AK001		
	C11		04/9-	AY100-NS004	M20 x P1.5			
NOTE	NE11	MR15D	05/1-	AY100-NS004	M20 x P1.5	52009-AK001		
	E11		05/1-	AY100-NS004	M20 x P1.5			
FUGA	PY50	VQ35HR	07/12-09/10	AY100-NS004	M20 x P1.5	52009-AK001		
		VQ35DE	04/10-07/11	AY100-NS004	M20 x P1.5			
PRESAGE	TU31	QR25DE	03/5-09/8	AY100-NS004	M20 x P1.5	52009-AK001		
	TNU31		03/5-09/8	AY100-NS004	M20 x P1.5			
	PU31	VQ35DE	03/5-09/8	AY100-NS004	M20 x P1.5			
	PNU31		03/5-09/8	AY100-NS004	M20 x P1.5			
FAIRLADY Z	Z34	VQ37VHR	08/12-	AY100-NS004	M20 x P1.5	52009-AK001		
	Z33	VQ35HR	07/01-08/11	AY100-NS004	M20 x P1.5			
		VQ35DE	02/08-07/01	AY100-NS004	M20 x P1.5			
MARCH	AK12	CR12DE	02/3-	AY100-NS005	UNF 3/4-16	52009-AK002		
	BK12	CR14DE	02/3-	AY100-NS005				
	BNK12		02/3-	AY100-NS005				
	YK12	HR15DE	05/8-		M20 x P1.5		52009-AK001	
MURANO	TZ50	QR25DE	04/9-08/9	AY100-NS004	M20 x P1.5	52009-AK001		
	PZ50	VQ35DE	04/9-08/9	AY100-NS004	M20 x P1.5			
	PNZ50		04/9-08/9	AY100-NS004	M20 x P1.5			
	TNZ51	QR25DE	08/9-		M20 x P1.5			
	PNZ51	VQ35DE	08/9-		M20 x P1.5			
MOCO	MG22S	K6A Turbo	06/2-	15208-4A0A0	UNF 3/4-16	52009-AK001		
	MG21S	K6A Turbo	02/4-06/2	AY100-KE002				
180SX	RPS13	SR20DET	91/01-98/12	15208-53J00	UNF 3/4-16	52009-AK002		

HKS HYBRID SPORTS OIL FILTER

HONDA

Vehicle	Model	Engine	Model Year	Stock P.N.	Center Bolt	Code No.	Remarks
CR-Z	ZF1	LEA-MF6	10/02-	15400-RTA-003	M20 x P1.5	52009-AK001	
S2000	AP1	F20C	99/04-03/09	15400-RTA-004	M20 x P1.5	52009-AK001	Not for 05/11-09/9 2.2L(F22C).
INSIGHT	ZE1	ECA-MF2		15400-PFB-004	M20 x P1.5	52009-AK001	
	ZE2	LDA-MF6	09/02-	15400-RTA-004	M20 x P1.5	52009-AK001	
INTEGRA Type-R	DC5	K20A	01/07-06/07	15400-RTA-004	M20 x P1.5	52009-AK001	
	DC2	B18C	95/10-01/06	15400-RTA-004	M20 x P1.5		
AIRWAVE	GJ1	L15A	05/3-	15400-PLC-004	M20 x P1.5	52009-AK001	
	GJ2		05/3-	15400-PLC-004	M20 x P1.5		
EDIX	BE1	D17A	05/3-	15400-PLC-004	M20 x P1.5	52009-AK001	
	BE2		05/3-	15400-PLC-004	M20 x P1.5		
	BE3	K20A	05/3-	15400-PLC-004	M20 x P1.5		
	BE4		05/3-	15400-PLC-004	M20 x P1.5		
ELYSION	RR1	K24A	04/7-	15400-PLC-004	M20 x P1.5	52009-AK001	
	RR2		04/7-	15400-PLC-004	M20 x P1.5		
	RR3	J30A	04/7-	15400-PLC-004	M20 x P1.5		
	RR4		04/7-	15400-PLC-004	M20 x P1.5		
	RR5	J35A	06/12-	15400-PLC-004	M20 x P1.5		
	RR6		06/12-	15400-PLC-004	M20 x P1.5		
ODYSSEY	RA6	F23A	99/12-03/10	15400-PR3-004	M20 x P1.5	52009-AK001	
	RA7		99/12-03/10	15400-PR3-004	M20 x P1.5		
	RA8	J30A	99/12-03/10	15400-PLC-004	M20 x P1.5		
	RA9		99/12-03/10	15400-PLC-004	M20 x P1.5		
	RB1	K24A	03/10-08/10	15400-PLC-004	M20 x P1.5		
	RB2		03/10-08/10	15400-PLC-004	M20 x P1.5		
	RB3	K24A	08/10-		M20 x P1.5		
	RB4		08/10-		M20 x P1.5		
CIVIC Type-R	FD2	K20A	07/03-	15400-RTA-004	M20 x P1.5	52009-AK001	
	EP3	K20A	01/12-05/08	15400-RTA-004	M20 x P1.5		
	EK9	B16B	97/08-01/11	15400-RTA-004	M20 x P1.5		
STEP WAGON	RF3	K20A	01/4-05/5	15400-PLC-004	M20 x P1.5	52009-AK001	
	RF4		01/4-05/5	15400-PLC-004	M20 x P1.5		
	RF5		01/4-05/5	15400-PLC-004	M20 x P1.5		
	RF6		01/4-05/5	15400-PLC-004	M20 x P1.5		
	RF7	K24A	03/6-05/5	15400-RTA-004	M20 x P1.5		
	RF8		03/6-05/5	15400-RTA-004	M20 x P1.5		
	RG1	K20A	05/5-09/10	15400-RTA-004	M20 x P1.5		
	RG2		05/5-09/10	15400-RTA-004	M20 x P1.5		
	RG3	K24A	05/5-09/10	15400-RTA-004	M20 x P1.5		
	RG4		05/5-09/10	15400-RTA-004	M20 x P1.5		
	RK1	R20A	09/10-		M20 x P1.5		
	RK2		09/10-		M20 x P1.5		
	RK5		09/10-		M20 x P1.5		
	RK6		09/10-		M20 x P1.5		
					M20 x P1.5		
STREAM	RN1	D17A	00/10-06/7	15400-PLC-004	M20 x P1.5	52009-AK001	
	RN2		00/10-06/7	15400-PLC-004	M20 x P1.5		
	RN3	K20A	00/10-06/7	15400-PLC-004	M20 x P1.5		
	RN4		01/1-06/7	15400-PLC-004	M20 x P1.5		
	RN5	K20B	03/12-06/7	15400-PLC-004	M20 x P1.5		
	RN6	R18A	06/7-	15400-RTA-004	M20 x P1.5		
	RN7		06/7-	15400-RTA-004	M20 x P1.5		
	RN8	R20A	06/7-	15400-RTA-004	M20 x P1.5		
	RN9		06/7-	15400-RTA-004	M20 x P1.5		
ZEST	JE1	P07A	06/2-		M20 x P1.5	52009-AK001	
	JE2		06/2-		M20 x P1.5		
VAMOS	HM1	E07Z	99/6-	15400-PFB-004	M20 x P1.5	52009-AK001	
	HM2		99/6-	15400-PFB-004	M20 x P1.5		
BEAT	PP1	E07A	91/5-96/12	15400-PJ7-015	M20 x P1.5	52009-AK001	
FIT	GD1	L13A	01/6-07/10	15400-PLC-004	M20 x P1.5	52009-AK001	
	GD2		01/7-07/10	15400-PLC-004	M20 x P1.5		
	GD3	L15A	02/9-07/10	15400-PLC-004	M20 x P1.5		
	GD4		02/9-07/10	15400-PLC-004	M20 x P1.5		
	GE6	L13A	07/10-		M20 x P1.5		
	GE7		07/10-		M20 x P1.5		
	GE8	L15A	07/10-		M20 x P1.5		
	GE9		07/10-		M20 x P1.5		
	FREED	GB3	L15A	08/5-			M20 x P1.5
GB4		08/5-			M20 x P1.5		
MOBILIO	GB1	L15A	01/12-08/6	15400-PLC-004	M20 x P1.5	52009-AK001	
	GB2		01/12-08/6	15400-PLC-004	M20 x P1.5		
MOBILIO SPIKE	GK1	L15A	02/9-08/6	15400-PLC-004	M20 x P1.5	52009-AK001	
	GK2		02/9-08/6	15400-PLC-004	M20 x P1.5		
LIFE	JC1	P07A	08/11-	15400-RTA-004	M20 x P1.5	52009-AK001	
	JB7	P07A	03/09-08/10	15400-RTA-004	M20 x P1.5		

HKS HYBRID SPORTS OIL FILTER

mitsubishi

Vehicle	Model	Engine	Model Year	Stock P.N.	Center Bolt	Code No.	Remarks
eK WAGON	H81W	3G83	01/10-06/9	MD134953	M20 × P1.5	52009-AK001	Incl. eK Sport, Classy, Active.
	H82W	3G83	06/9-		M20 × P1.5	52009-AK001	Incl. eK Sport.
i	HA1W	3B20 TURBO/NA	06/1-	1230A040	M20 × P1.5	52009-AK001	
OUTLANDER	CW5W	4B12	05/10-		M20 × P1.5	52009-AK001	
	CW6W	6B31	07/10-		M20 × P1.5		
GALANT FORTIS	CY4A	4B11 TURBO/NA	07/08-	MD356000	M20 × P1.5	52009-AK001	
GALANT FORTIS SPORTBACK	CX4A	4B11 TURBO/NA	08/12-	MD356000	M20 × P1.5	52009-AK001	
COLT	Z21A	4A90	04/10-	MR984204	M20 × P1.5	52009-AK001	
	Z22A		04/10-	MR984204	M20 × P1.5		
	Z23A	4A91	04/10-	MR984204	M20 × P1.5		
	Z24A		04/10-	MR984204	M20 × P1.5		
	Z25A	4G19	02/11-06/10	MD360935	M20 × P1.5		
	Z26A		02/11-06/10	MD360935	M20 × P1.5		
	Z27A	4G15	02/11-06/10	MD360935	M20 × P1.5		
Z28A	02/11-06/10		MD360935	M20 × P1.5			
COLT PLUS	Z23W	4A91	04/10-	MR984204	M20 × P1.5	52009-AK001	
	Z24W		04/10-	MR984204	M20 × P1.5		
	Z27W	4G15	04/10-	MD136466	M20 × P1.5		
COLT RALLIART Version-R	Z27AG	4G15 TURBO	06/05-	MD356000	M20 × P1.5	52009-AK001	
PAJERO MINI	H51A	4A30	95/1-	MD934153	M20 × P1.5	52009-AK001	
	H53A		95/1-	MD934153	M20 × P1.5		
	H56A		95/1-	MD934153	M20 × P1.5		
	H58A		95/1-	MD934153	M20 × P1.5		
LANCER EVOLUTION	CZ4A(X)	4B11	07/10-	MD356000	M20 × P1.5	52009-AK001	
	CT9A(IX)	4G63	05/03-07/09	MD135737	M20 × P1.5	52009-AK001	
	CT9A(VIII)	4G63	03/02-05/02	MD135737	M20 × P1.5	52009-AK001	
	CT9A(VII)	4G63	01/02-03/01	MD135737	M20 × P1.5	52009-AK001	
	CP9A(VI)	4G63	99/01-01/01	MD356000	M20 × P1.5	52009-AK001	
	CP9A(V)	4G63	98/01-98/12	MD356000	M20 × P1.5	52009-AK001	
	CN9A(IV)	4G63	96/08-97/12	MD135737	M20 × P1.5	52009-AK001	Installation portion of some vehicles are ϕ 80. Checking required.
	CE9A(III)	4G63	95/02-96/08	MD135737	M20 × P1.5	52009-AK001	
	CE9A(II)	4G63	94/01-95/01	MD135737	M20 × P1.5	52009-AK001	
CD9A(I)	4G63	92/10-94/01	MD135737	M20 × P1.5	52009-AK001		
LANCER EVOLUTION WAGON	CT9W	4G63	05/09-07/09	MD356000	M20 × P1.5	52009-AK001	

HKS HYBRID SPORTS OIL FILTER

SUBARU

Vehicle	Model	Engine	Model Year	Stock P.N.	Center Bolt	Code No.	Remarks
IMPREZA	GRF	EJ25 TURBO	09/02-	15208AA100	M20 × P1.5	52009-AK001	
	GRB	EJ20 TURBO	07/10-	15208AA100	M20 × P1.5		
	GH8	EJ20 TURBO	07/06-	15208AA100	M20 × P1.5		
	GDB	EJ20 TURBO	00/10-07/06	15208-AA024 etc.	M20 × P1.5		
	GDA	EJ20 TURBO	00/08-07/06	15208-AA024 etc.	M20 × P1.5		
	GC8	EJ20 TURBO	92/10-00/07	15208-AA024	M20 × P1.5		
IMPREZA WAGON	GGB	EJ20 TURBO	00/10-02/10	15208-KA011	M20 × P1.5	52009-AK001	
	GGA	EJ20 TURBO	00/08-07/06	15208-KA011	M20 × P1.5		
	GF8	EJ20 TURBO	93/10-00/07	15208-KA011	M20 × P1.5		
EXIGA	YA4	EJ20	08/6-		M20 × P1.5	52009-AK001	
	YA5	EJ20 TURBO	08/6-		M20 × P1.5		
LEGACY B4	BM9	EJ25 TURBO/NA	09/05-	15208AA100	M20 × P1.5	52009-AK001	
	BL5	EJ20 TURBO	03/05-09/04	15208-AA080	M20 × P1.5		
	BE5	EJ20 TURBO	98/12-03/05	15208-AA024	M20 × P1.5		
LEGACY TOURING WAGON	BR9	EJ25 TURBO/NA	09/05-	15208AA100	M20 × P1.5	52009-AK001	
	BP5	EJ20 TURBO	03/05-09/04	15208-AA080	M20 × P1.5		
	BH5	EJ20 TURBO	98/06-03/05	15208-AA024	M20 × P1.5		
FORESTER	SH5	EJ20 TURBO/NA	07/12-		M20 × P1.5	52009-AK001	
	SG9	EJ25 TURBO	04/02-07/11	15208-AA080	M20 × P1.5		
	SG5	EJ20 TURBO	02/02-07/11	15208-AA080	M20 × P1.5		
PLEO	RA1	EN07	98/10-10/1	15208-KA011	M20 × P1.5	52009-AK001	
	RA2		98/10-10/1	15208-KA011	M20 × P1.5		
	RV1		98/10-10/1	15208-KA011	M20 × P1.5		
	RV2		98/10-10/1	15208-KA011	M20 × P1.5		

HKS HYBRID SPORTS OIL FILTER

MAZDA

Vehicle	Model	Engine	Model Year	Stock P.N.	Center Bolt	Code No.	Remarks
RX-8	SE3P	13B-MSP	03/04-	B6Y1-14-302A	M20 × P1.5	52009-AK001	
RX-7	FD3S	13B-REW	91/12-02/08	N350-14-302 B6Y1-14-302A	M20 × P1.5	52009-AK001	
DEMIO	DE3AS	ZJ-VE	07/7-		M20 × P1.5	52009-AK001	
	DE3FS	ZJ-VE	07/7-		M20 × P1.5		
	DY3W	ZJ-VE	02/8-07/7	B6Y1-14-302 B6Y1-14-302A	M20 × P1.5		
	DY3R	ZJ-VE	02/8-07/7	B6Y1-14-302 B6Y1-14-302A	M20 × P1.5		
	DW3W	B3E	96/8-02/8	N350-14-302 B6Y1-14-302A	M20 × P1.5		
	DE5FS	ZY-VE	07/7-		M20 × P1.5		
	DY5W	ZY-VE	02/8-07/7	B6Y1-14-302 B6Y1-14-302A	M20 × P1.5		
	DY5R	ZY-VE	02/8-07/7	N350-14-302 B6Y1-14-302A	M20 × P1.5		
	DW5W	B5E	96/8-02/8		M20 × P1.5		
VERISA	DC5W	ZY-VE	04/6-	B6Y1-14-302	M20 × P1.5	52009-AK001	
	DC5R		04/6-	B6Y1-14-302A	M20 × P1.5		
ROADSTER	NB8C	BP-VE	00/08-05/07	N350-14-302	M20 × P1.5	52009-AK001	
		BP-ZE	98/01-00/07	N350-14-302	M20 × P1.5		
	NB6C	B6-ZE	98/01-00/07	N350-14-302	M20 × P1.5		
	NA8CE	BP-ZE	93/08-97/12	B6Y1-14-302A	M20 × P1.5		
	NA6CE	B6	89/07-93/08	B6Y1-14-302A	M20 × P1.5		

HKS HYBRID SPORTS OIL FILTER

SUZUKI

Vehicle	Model	Engine	Model Year	Stock P.N.	Center Bolt	Code No.	Remarks
Kei	HN11S	F6A	98/10-01/4	16510-81402 16510-81403	UNF 3/4-16	52009-AK002	
	HN12S	F6A	01/4-09/10	16510-81402 16510-81403	UNF 3/4-16		
	HN21S	K6A	98/10-01/4	16510-81402 16510-81403	UNF 3/4-16		
	HN22S	K6A	01/4-09/10	16510-81403	UNF 3/4-16		
MR WAGON	MF21S	K6A	01/12-06/12	15601-87204 16510-81403	UNF 3/4-16	52009-AK002	
	MF22S	K6A	06/12-	16510-81403	UNF 3/4-16		
SX4	YA11S	M15A	06/7-		UNF 3/4-16	52009-AK002	
	YB11S		06/7-		UNF 3/4-16		
	YA41S	J20A	06/7-		UNF 3/4-16		
	YB41S		06/7-		UNF 3/4-16		
ALTO	HA24S	K6A	04/9-09/12	16510-81403	UNF 3/4-16	52009-AK002	
	HA24V	K6A	05/1-09/12	13780-58J20 16510-81403	UNF 3/4-16		
ALTO LAPIN	HE21S	K6A	02/10-08/10	16510-81403	UNF 3/4-16	52009-AK002	
	HE22S	K6A	08/10-		UNF 3/4-16		
ESCUDE	TDA4W	J24B	05/5-		UNF 3/4-16	52009-AK002	
EVERY	DA64V	K6A	05/9-		UNF 3/4-16	52009-AK002	
	DA64W		05/9-		UNF 3/4-16		
CAPPUCCINO	EA11R	F6A	91/10-95-05	16510-81403	UNF 3/4-16	52009-AK002	
	EA21R	K6A	95/05-98/10	16510-81403	UNF 3/4-16		
JIMNY	JB23W	K6A	98/10-	16510-81403	UNF 3/4-16	52009-AK002	
SWIFT SPORT	ZC31S	M16A	05/09-	16510-61A20	UNF 3/4-16	52009-AK002	
SWIFT	ZC21S	M15A	04/11-	16510-61A20 16510-61A01 etc.	UNF 3/4-16	52009-AK002	
SPLASH	XB32S	K12B	08/10-		UNF 3/4-16	52009-AK002	
PALETTE	MK21S	K6A TURBO	08/1-		UNF 3/4-16	52009-AK002	
LANDY	SC25	MR20DE	07/1-		M20×P1.5	52009-AK001	
	SNC25		07/1-		M20×P1.5		
WAGON R	MH23S	K6A TURBO	08/09-	16510-81403	UNF 3/4-16	52009-AK002	
	MH22S	K6A TURBO	07/05-08/09	16510-81403	UNF 3/4-16		
	MH21S	K6A TURBO	03/09-07/04	16510-81403	UNF 3/4-16		
	MC22S	K6A TURBO	01/01-03/08	16510-81402	UNF 3/4-16		
	MC21S	K6A TURBO	98/10-00/12	16510-81402	UNF 3/4-16		
	MC11S	F6A TURBO	98/10-00/12	16510-81402	UNF 3/4-16		
	CT51S·CV51S	K6A TURBO	97/4-98/10	16510-81402	UNF 3/4-16		
	CT21S·CV21S	F6A TURBO	95/2-98/10	16510-81402	UNF 3/4-16		

HKS HYBRID SPORTS OIL FILTER

DAIHATSU

Vehicle	Model	Engine	Model Year	Stock P.N.	Center Bolt	Code No.	Remarks
ATRAI WAGON	S320G	EF-DET	05/5-07/9	15601-87204	UNF 3/4-16	52009-AK002	
	S330G		05/5-07/9	15601-87204	UNF 3/4-16		
	S321G	KF-DET	07/9-	15601-87204	UNF 3/4-16		
	S331G		07/9-	15601-87204	UNF 3/4-16		
ESSE	L235S	KF-VE	05/12-	15601-87204	UNF 3/4-16	52009-AK002	
	L245S		05/12-	15601-87204	UNF 3/4-16		
COPEN	L880K	JB-DET	02/06-	15601-97201	UNF 3/4-16	52009-AK002	
SONICA	L405S	KF-DET	06/-09/5	17801-B2070	UNF 3/4-16	52009-AK002	
	L415S		06/-09/5	17801-B2070	UNF 3/4-16		
TANTO	L350S	EF-DET	03/11-07/12	17801-B2040	UNF 3/4-16	52009-AK002	
	L360S			17801-B2070			
	L375S	KF-VE	07/12-		UNF 3/4-16		
		KF-DET			UNF 3/4-16		CUSTOM RS
L385S	KF-VE	07/12-		UNF 3/4-16			
	KF-DET			UNF 3/4-16	CUSTOM RS		
TANTO EXE	L455S	KF-VE	09/12-		UNF 3/4-16	52009-AK002	
		KF-DET			UNF 3/4-16		CUSTOM RS
	L465S	KF-VE	09/12-		UNF 3/4-16		
		KF-DET			UNF 3/4-16		CUSTOM RS
TERIOS KID	J111G	EF-DET	98/10-	15601-87204	UNF 3/4-16	52009-AK002	
	J131G		98/10-	15601-87204	UNF 3/4-16		
BEGO	J200G	3SZ-VE	06/1-	15601-87204	UNF 3/4-16	52009-AK002	
	J210G		06/1-	15601-87204	UNF 3/4-16		
MIRA	L275S	KF-VE	06/12-		UNF 3/4-16	52009-AK002	
		KF-DET					CUSTOM RS
	L285S	KF-VE	06/12-		UNF 3/4-16		
		KF-DET					CUSTOM RS
MIRA COCOA	L675S	KF-VE	09/8-		UNF 3/4-16	52009-AK002	
	L685S		09/8-				
MOVE	L175S	KF-DET	06/10-	15601-87204	UNF 3/4-16	52009-AK002	
	L152S	JB-DET	02/10-06/09	15601-87204	UNF 3/4-16		
	L150S·L160S	EF-DET	02/10-06/09	15601-87204	UNF 3/4-16		
	L902S	JB-DET	98/10-02/10	15601-87204	UNF 3/4-16		
	L600S·L610S	EF-RL	96/05-98/10	15601-87204	UNF 3/4-16		